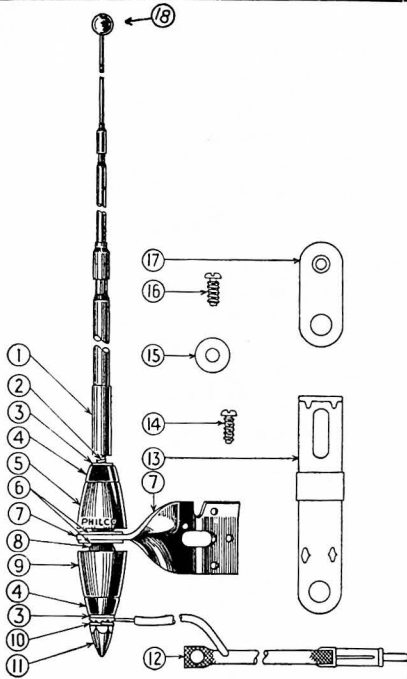


PHILCO AUTO RADIO

1941 PHILCO AUTO RADIO AERIALS

THREE WAY MOUNTING AERIAL — PART NO. 91-0216 LIST PRICE — \$3.45 COMPLETE

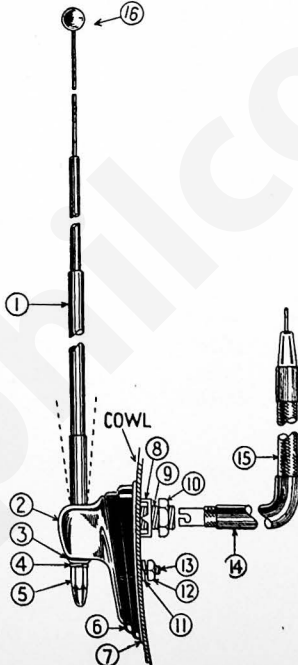


DESCRIPTION	PART NO.	LIST PRICE
(1) Aerial Rod Assembly	77-0930	\$2.50
(2) Stud	57-2227	.05
(3) Washer	28-3976	.75 per 100
(4) Insulator	55-1392	.20
(5) Shell	57-2230	.25
(6) Washer	97-0209	.02
(7) Underhood Bracket	57-2228	.20
(8) Spacer Tube	55-1391	.02
(9) Shell	57-2226	.25
(10) Lockwasher	97-0170	.02
(11) Nut	97-0205	.25
(12) Aerial Lead-in Assembly	95-0218	.85
(13) Bracket	57-2229	.25
(14) Screw	W1571	.75 per 100
(15) Washer	97-0206	1.50 per 100
(16) Screw	97-0207	.02
(17) Hinge Strip	57-2231	.10
(18) Ball	55-1490	*

*No Price available.

Prices subject to change without notice.

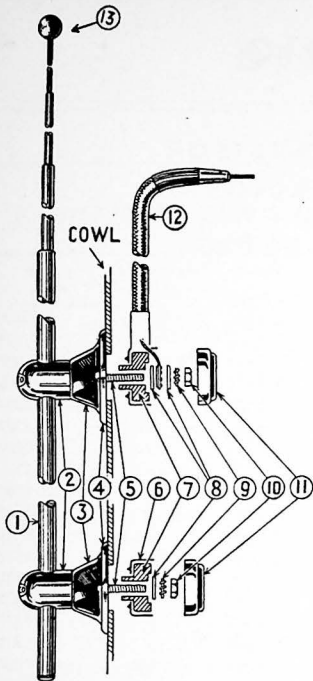
DUO-FLEX AERIAL — PART NO. 91-0217 LIST PRICE — \$3.95 COMPLETE



DESCRIPTION	PART NO.	LIST PRICE
(1) Aerial Rod Assembly	77-0928	\$2.50
(2) Die Cast Housing	57-2399	1.25
(3) Shoe	57-2225	.05
(4) Lockwasher	97-0170	.02
(5) Nut	97-0203	.20
(6) Bakelite Insulator	55-1388	.30
(7) Rubber Gasket	55-1389	.10
(8) Lockwasher	97-0199	.03
(9) Sleeve Assembly	77-0929	.35
(10) Nut	97-0204	.03
(11) Lockwasher	W287	.40 per 100
(12) Nut	97-0202	.03
(13) Screw	97-0201	.03
(14) Rubber Tubing	55-1427	.15
(15) Aerial Lead-in	95-0217	1.25
(16) Ball	55-1490	*

*No Price available.

Prices subject to change without notice.



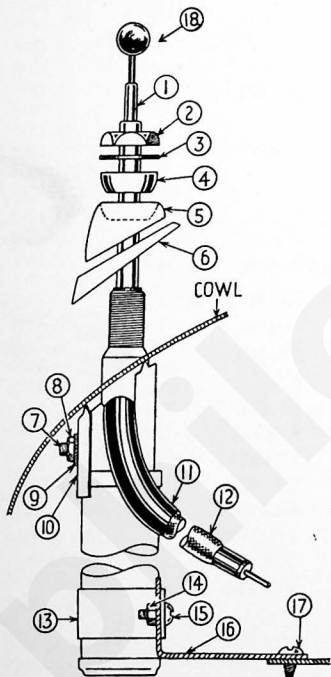
THREE SECTION COWL AERIAL — PART NO. 91-0219
LIST PRICE — \$3.55 COMPLETE

FOUR SECTION COWL AERIAL — PART NO. 91-0220
LIST PRICE — \$4.95 COMPLETE

DESCRIPTION	91-0219	91-0220	LIST PRICE
(1) Aerial Rod Assembly	57-1249		\$1.80
(1) Aerial Rod Assembly		57-1566	3.00
(2) Cap	57-1251		.20
(2) Cap		57-1745	.25
(3) Insulator	55-0894	55-0894	.25
(4) Rubber Gasket	55-0892	55-0892	.10
(5) Eyebolt	57-1250		.10
(5) Eyebolt		57-1960	.10
(6) Shield Can	57-1254	57-1254	.10
(7) Bushing	55-0893	55-0893	.10
(8) Washer	W-1699		.03
(8) Washer		57-1961	.02
(9) Lockwasher	W-287	W-287	.40 per 100
(10) Nut	W-317	W-317	.40 per 100
(11) Cover	57-1253	57-1253	.05
(12) Aerial Lead-in	95-0185	95-0185	1.25
(13) Ball	55-1491		*
(13) Ball		55-0738	*

*No Price available.

Prices subject to change without notice.



HIDEAWAY AERIAL — PART NO. 91-0227

LIST PRICE — \$4.95 COMPLETE

DESCRIPTION	PART NO.	LIST PRICE
(1) Aerial Rod Assembly	**	
(2) Nut	97-0191	\$.20
(3) Washer	97-0189	.05
(4) Washer	97-0188	.15
(5) Insulator	55-1364	.20
(6) Rubber Gasket	55-1363	.15
(7) Stud	W-323	.40 per 100
(8) Nut	W-317	.40 per 100
(9) Lockwasher	W-1533	.30 per 100
(10) Clamp	57-2206	.10
(11) Rubber Tubing	55-1427	
(12) Aerial Lead-in Assembly	95-0223	1.25
(13) Clamp Bracket	57-2426	.20
(14) Nut	W-317	.40 per 100
(15) Stud	W-323	.40 per 100
(16) Clamp Strap	57-2427	.10
(17) Screw	W-387	.02
(18) Ball	55-1462	*

**Not Replaceable

*No Price available.

Prices subject to change without notice.